

# Technical Datasheet

Product Code: **RPD001GG**

Product Description: **Tristan Alexander Glyndeborne 600mm Washstand 1Drw**

## Specification

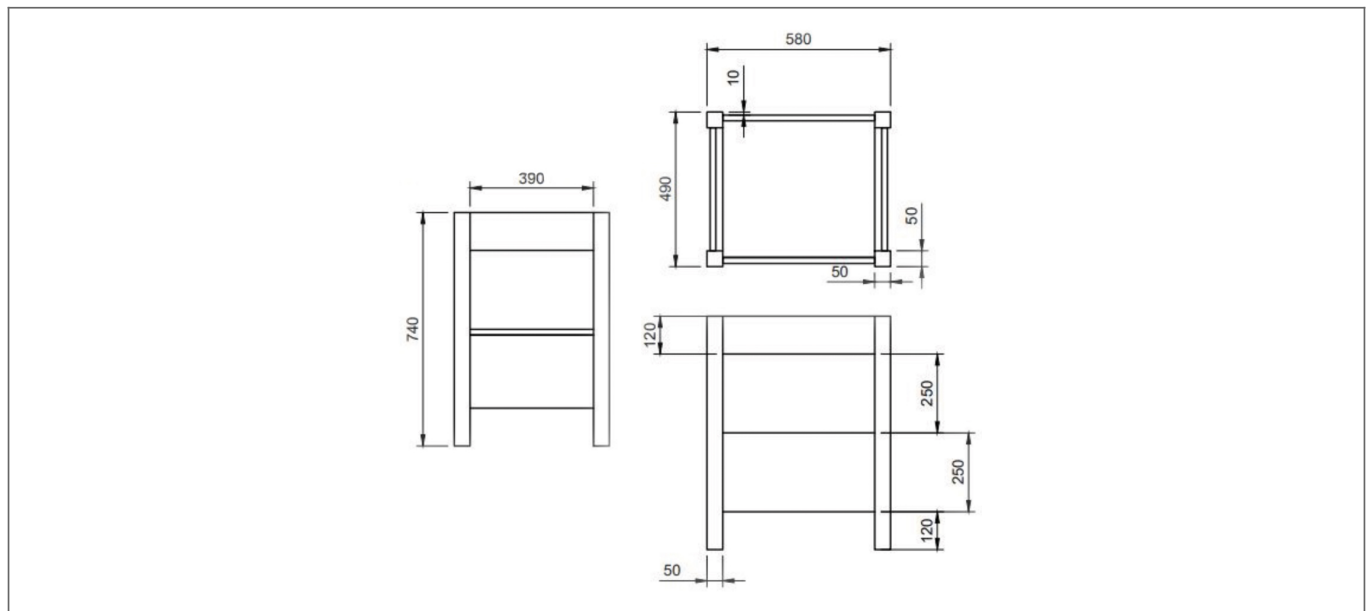
Number Of Drawers:	1
Handle Type:	Knob
Material:	Acrylic
Style:	Contemporary
Product Guarantee:	Lifetime
Packaged Weight:	15 kg
Packaged Length (Metre):	0.615
Packaged Width (Metre):	0.48
Packaged Height (Metre):	0.755
Made In the UK:	Yes



## Key Features

- Create an aesthetic that is part of the constantly evolving contemporary style of present day
- Coated in a luxury goblin green finish
- Features 1 soft close drawer for added safety element
- Space saving design ideal for all your bathroom essentials
- 15 alternative & bespoke colours are available at an extra cost

## Technical Drawing



Dimensions: All measurements are in millimetres and are subject to normal manufacturing variations.

Due to a continuing development programme to improve design and performance, we reserve all rights to vary specifications without prior notice. Please note, all accessories are for photographic purposes only.